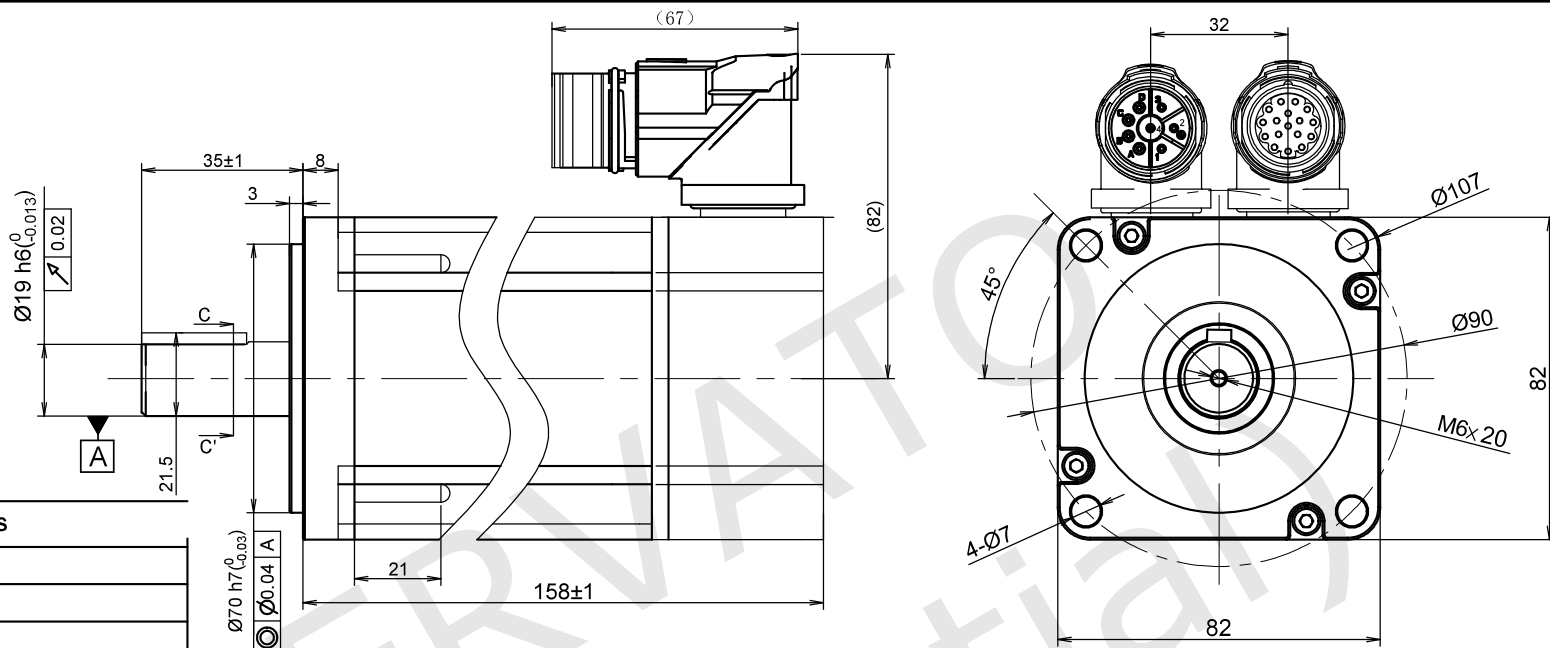


RoHS



**BRAKE SPECIFICATIONS**

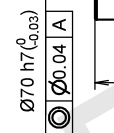
RATED VOLTAGE	24 Vdc
RATED POWER	8.5W
HOLDING TORQUE	4.8 N.m
MAX SPEED	---

**ENCODER SPECIFICATIONS**

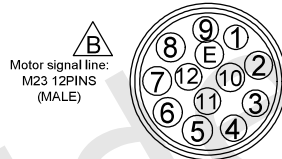
ENCODER TYPE	Absolute multiturn
POWER SUPPLY	5.00 Vdc
SINGLE TURN RESOLUTION	24 bits
MULTITURN RESOLUTION	12 bits
ENCODER OUTPUT TYPE	BiSS- C

**MOTOR SPECIFICATIONS**

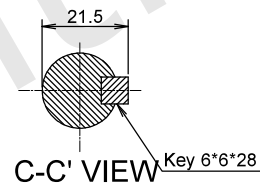
POLES	10
RATED VOLTAGE	200 ~ 250 Vac
RATED POWER	750 W
RATED CURRENT	4,59 A
PEAK CURRENT	15,30 A
RATED TORQUE	2.39 Nm
PEAK TORQUE	8.00 Nm
RESISTANCE	1.90 ohm ±10% at 20°C
INDUCTANCE	5.50 mH ±20% at 20°C
BACK EMF CONSTANT	35.5 Vrms/Krpm at 20°C
TORQUE CONSTANT	0.52 Nm/A
RATED SPEED	3000 rpm ±10%
PEAK SPEED	--- rpm ±10%
INSULATION CLASS	Class F, 155°C
ROTOR INERTIA	1500 g.cm <sup>2</sup>
WEIGHT	3100 g. approx
IP CODE	IP65



Motor power line:  
M23 8PINS  
(MALE)



Motor signal line:  
M23 12PINS  
(MALE)



C-C' VIEW Key 6\*6\*28

**WIRING DIAGRAM**

Motor power line:

PIN NO.	A	B	C	D	1	PE	3	4
Signal	Brake+	Brake-	---	---	U	PE	V	W

Motor signal line: **B**

PIN NO.	1	2	3	4	5	6	7	8	9	10	11	12
Signal	5V	0V	DATA+	DATA-	CLOCK+	CLOCK-	SENSOR 5V	SENSOR 0V	---	---	---	---

UNIT: mm  
UNLESS OTHERWISE SPECIFIED TOLERANCES  
DIMENSIONS : ±0.3 mm DEGREES : ±5%  
ORTHOGRAPHIC PROJECTION

DESIGN	Stm02755-00c
CHECK	
APPROVED	Matteo C. -10 / 11 / 2023
DATE	06 / 11 / 2023

DRAWING NOT TO SCALE

REV

- 00a - First release.
- 00a - Removed the temperature sensor and correct the flange size.
- 00c - Add some electrical parameters.

LABELS

(15)

(40)

YYWWXXXXX (25 x 8)  
Stator barcode label

**BA32HA0752A0B0F**  
AC BRUSHLESS MOTOR SPECIFICATION



www.everelettronica.it