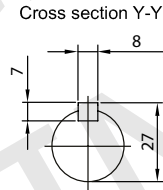
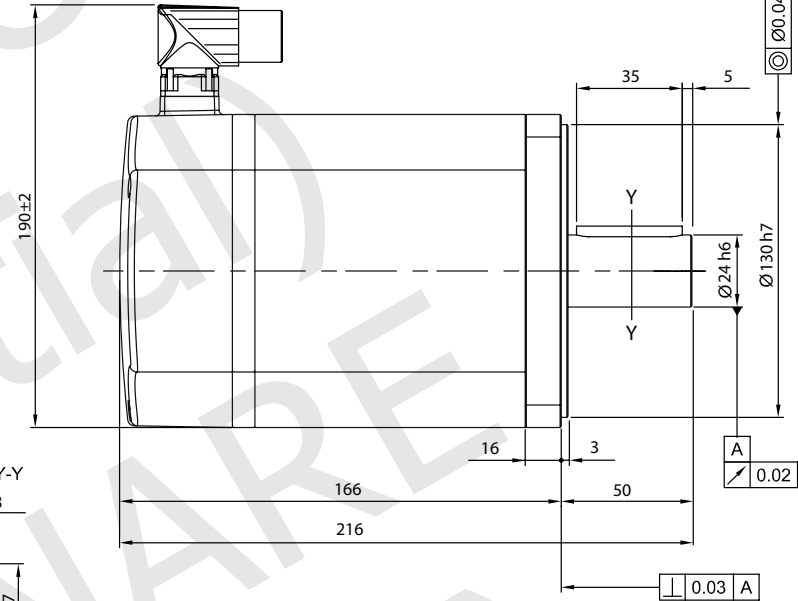
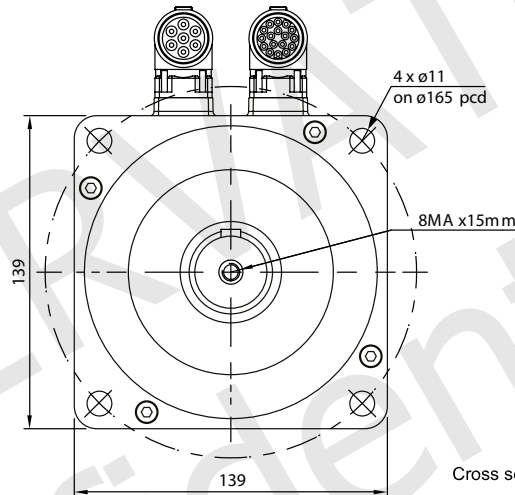
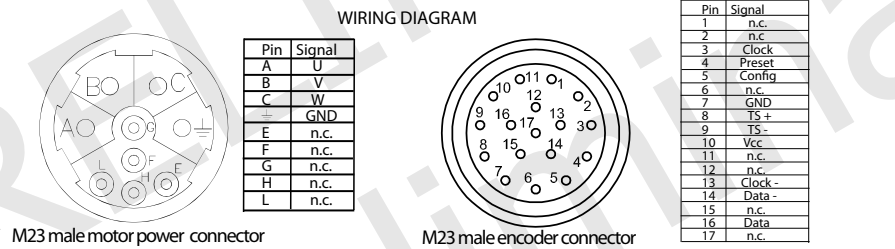


RoHS



ENCODER SPECIFICATIONS	
ENCODER TYPE	Absolute multiturn
SINGLE TURN RESOLUTION	17 bits
MULTITURN RESOLUTION	16 bits
POWER SUPPLY	5 Vdc
OUTPUT	BISS-C
MOTOR SPECIFICATIONS	
POLE PAIRS	5
APPLIED VOLTAGE	230 Vac
RATED POWER	1400 W
STALL TORQUE	6.00 Nm
STALL CURRENT	6.80 A
RATED TORQUE	4.50 Nm
RATED CURRENT	5.20 Arms
PEAK TORQUE	18.00 Nm
PEAK CURRENT	20.5 Arms
RATED SPEED	3000 rpm
MAX SPEED	4000 rpm
TORQUE CONSTANT	0.87 Nm/Arms ±5%
VOLTAGE CONSTANT	49.50 Vrms/Krpm ±5%
LINE TO LINE RESISTANCE	0.70 ohm ±5%
LINE TO LINE INDUCTANCE	7.8 mH
ROTOR INERTIA	6.1 Kg.m ² *10 ⁻⁴
AMBIENT TEMPERATURE	+0°C ~ +40°C
WEIGHT	4.5 Kg.
PROTECTION	IP65
INSULATION CLASS	Class F, 155°
MAX RADIAL LOAD	1200 N
MAX AXIAL LOAD	500 N



LABELS

CODE **BA55SA1402A0B00**

U _N	230 Vac	n	3000 r/min
Ke	49.5 V/Krpm	DUTY	S1
I _N	5.2 A	InC	F
M _N	4.5 Nm	IP code	65
M _{stat}	6.0 Nm	S.N.	yyyyyyy
P _N	1400 W	DATE	xx/xx/xxxx

UNIT: mm	DESIGN	Stm02203-02a
UNLESS OTHERWISE SPECIFIED TOLERANCES	CHECK	
DIMENSIONS : ±0.3 mm DEGREES : ±5%	APPROVED	
DRAWING NOT TO SCALE	DATE	05 / 12 / 2022

BA55SA1402A0B00
AC BRUSHLESS MOTOR SPECIFICATION

REV	Description
00a	First release.
01a	Fix the resistance and inductance values.
02a	Fix the dimensions of the key on the shaft.

Ever
ELETRONICA
the clever drive
www.everelettronica.it