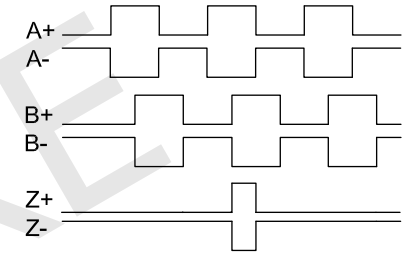
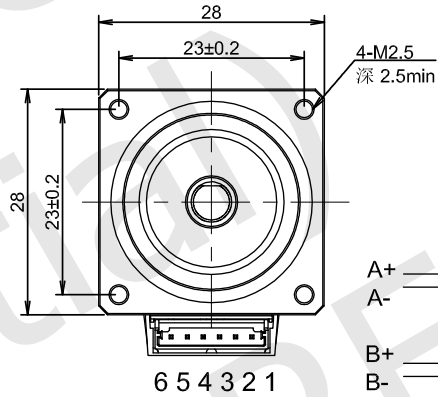
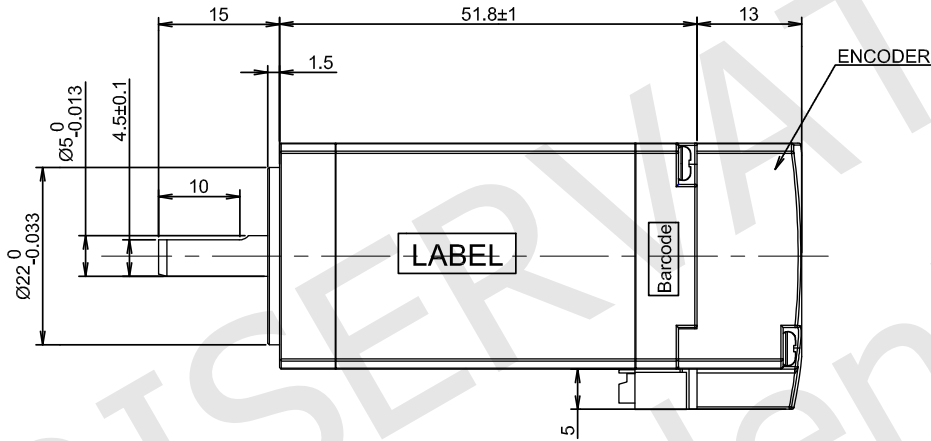


RoHS



ENCODER SPECIFICATIONS

RESOLUTION	1000ppr
POWER SUPPLY	5 Vdc
OUTPUT TYPE	line driver

MOTOR SPECIFICATIONS

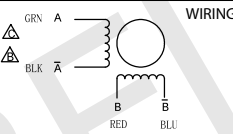
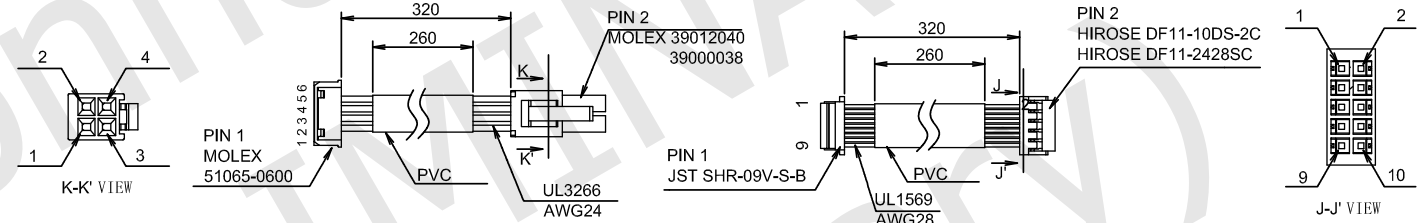
STEP ANGLE	1.8° ±5%
RATED CURRENT	1.50 Amps/Ph
HOLDING TORQUE	0.17 Nm Min.

RESISTANCE	1.90 ohm ±10% at 25°C
INDUCTANCE	2.10 mH ±20% at 1kHz, 1Vrms
ROTOR INERTIA	20 g.cm ²
INSULATION CLASS	Class B, 130°C
DIELECTRIC STRENGTH	500 Vac 1 minute

IP CODE	IP20
PULL OUT TORQUE	---
BACK EMF	---
DETENT TORQUE	---
WEIGHT	200 g. approx

TEMPERATURE RISE	80K Max.
OPERATING TEMPERATURE	-20°C ~ +50°C
STORAGE TEMPERATURE	-20°C ~ +70°C

SHAFT AXIAL LOAD	10 N
SHAFT RADIAL LOAD	21 N (ON FRONT SHAFT END)



PIN 1	Signal	Colour	PIN 2
1	A/	black	4
3	A	green	2
4	B/	red	3
6	B/	blue	1

Encoder			
PIN 1	Signal	Colour	PIN 2
1	GND	black	10
2	Vcc	red	9
3	B+	blue	5
4	B-	white	6
5	A+	orange	7
6	A-	yellow	8
7	Z+	brown	3
8	Z-	green	4
9	FG	purple	1

EXCITING SEQUENCE (TWO PHASES) VS. DIRECTION OF ROTATION				
STEP	A	B	A-bar	B-bar
1	+	+	-	-
2	-	+	+	-
3	-	-	+	+
4	+	-	-	+

CLOCK WISE VIEW FROM MOUNTING SIDE

LABELS

Code : MT11HE20015E401
Cust. P/N:
Lot #:
Connect to driver only, see manual for details.

Made in China

(10)

YYWWXXXXX (25 x 8)

Stator barcode label

UNIT: mm
UNLESS OTHERWISE SPECIFIED TOLERANCES
DIMENSIONS : ±0.3 mm DEGREES : ±5%
ORTHOGRAPHIC PROJECTION

DESIGN	Stm02464-00c
CHECK	
APPROVED	
DATE	21 / 10 / 2022

MT11HE20015E401
STEPPING MOTOR SPECIFICATION

REV	DESCRIPTION
00a	First release.
00b	Modify the motor and encoder connection.
00c	Modify the motor connection.

the clever drive

www.everelettronica.it