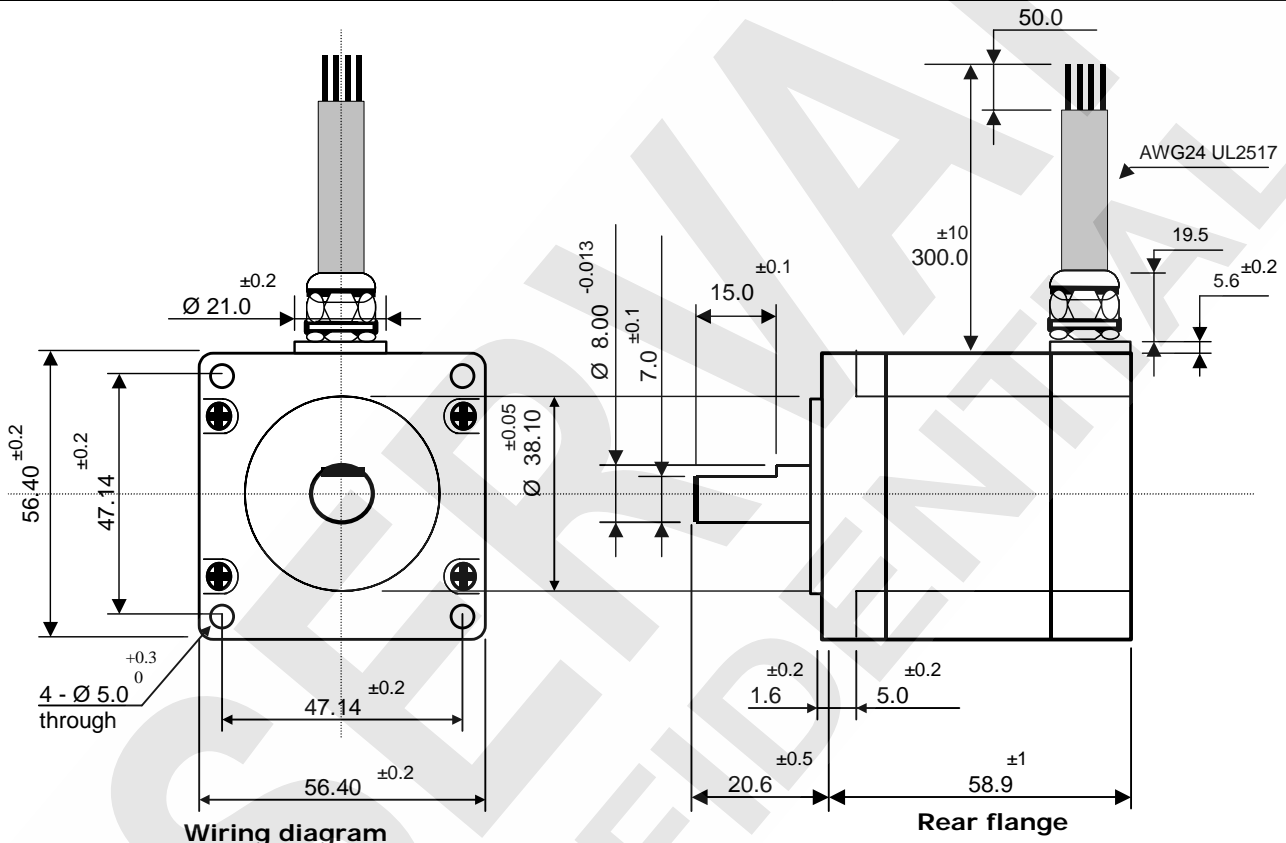
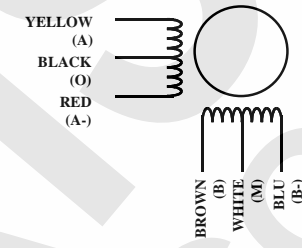


Motor Size	2.3" – 57 mm square shape	Step Angle	1,8° ±5%
Front Shaft	20.6 mm length – Ø 8.00 mm with D-cut 7.0 x 15.0 mm	Rear Shaft	None
Lead wires	# 6 lead wires unipolar	Lead Wire Length	300 mm ±10mm
Rated Voltage	11.50 Volt	Rated Current	0.40 Amps/phase
Resistance	28.70 ohm ±10%	Inductance	29.50 mH ±20%
Motor Rotor Inertia	170 g.cm²	Motor Holding Torque	0.52 Nm
Protection	IP65	Insulation class	Class B, 130°C
Shaft thrust load	15 N	Shaft radial load	75 N (at shaft end)



Wiring diagram

Rear flange



Motor Labelling



	Motor specification: STM00925-00e	DATE: December, 10th 2014	APPROVAZIONE CLIENTE: _____
	Motor code: MT23HE17004M6P1		CODICE CLIENTE: _____