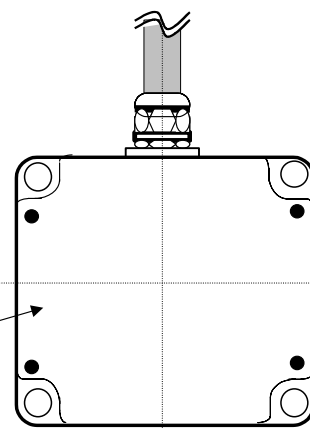
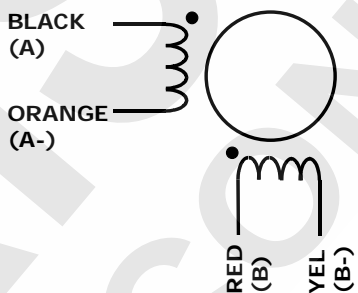
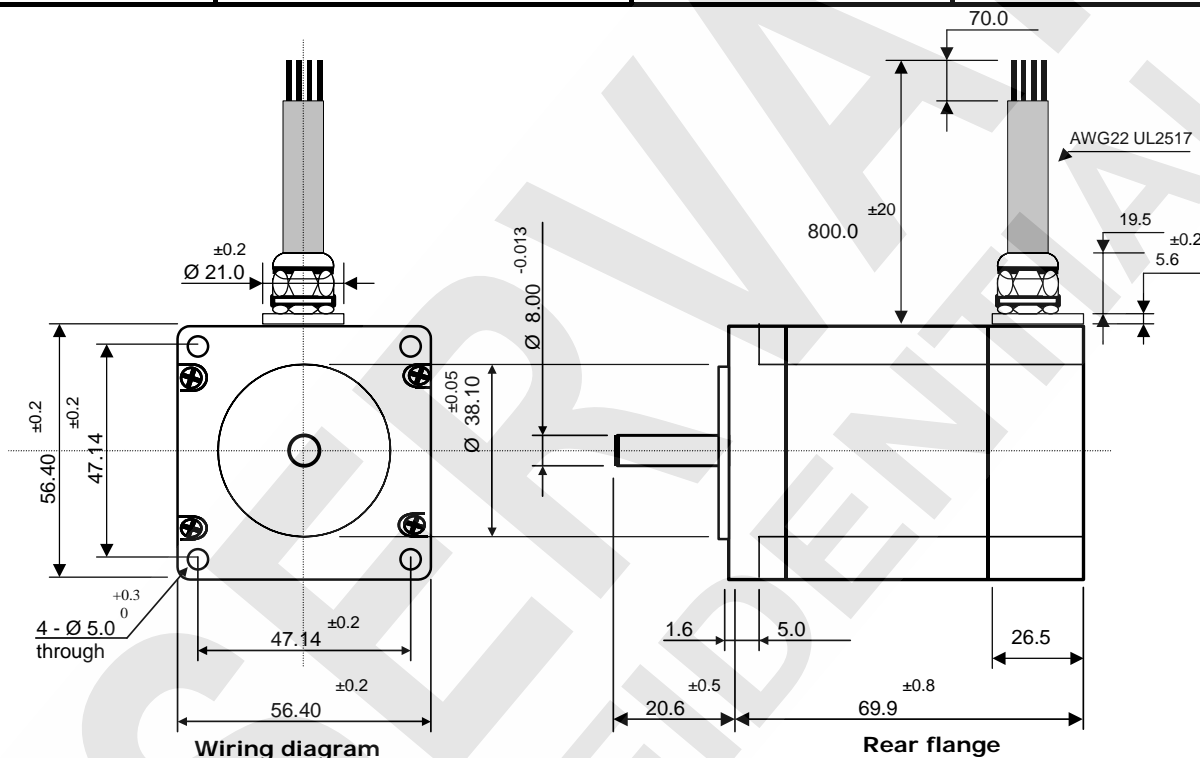


Motor Size	<b>2.3" - 57 mm square shape</b>	Step Angle	<b>1.8° ±5%</b>
Front Shaft	<b>20.6 mm length - Ø 8.00 mm</b>	Rear Shaft	<b>None</b>
Lead wires	<b># 4 lead wires</b>	Lead Wire Length	<b>800 mm ±20mm with tube and cable conduit</b>
Rated Voltage	<b>3.30 Volt</b>	Rated Current	<b>3.00 Amps/phase</b>
Resistance	<b>1.10 ohm ±10%</b>	Inductance	<b>4.30 mH ±20%</b>
Winding	<b>Bipolar parallel</b>	Motor Holding Torque	<b>1.400 Nm min</b>
Motor Rotor Inertia	<b>280 g.cm<sup>2</sup></b>	Insulation class	<b>Class B, 130°C</b>
Ambient temperature	<b>-20°C ~ +40°C</b>	Temperature rise	<b>80K max</b>
Shaft thrust load	<b>15 N</b>	Shaft radial load	<b>75 N (at front shaft end)</b>
Protection	<b>IP65</b>		



	Motor specification: STM00965-03c	DATE: December, 22th 2015	APPROVAZIONE CLIENTE: _____
	Motor code: MT23HE22030M4P1		CODICE CLIENTE: _____