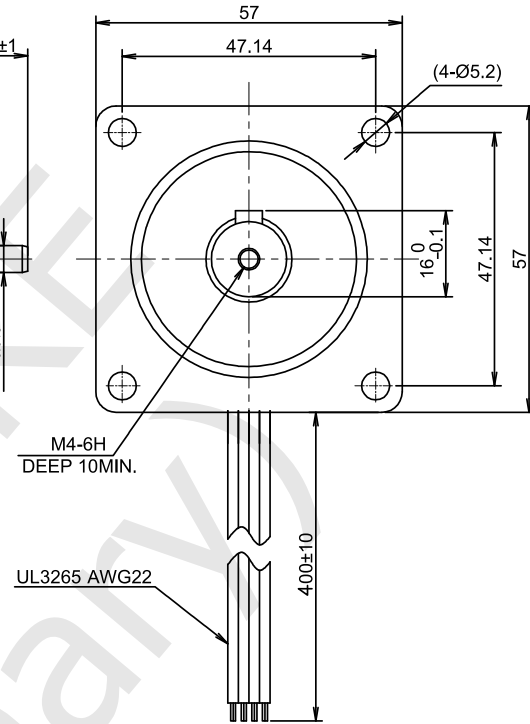
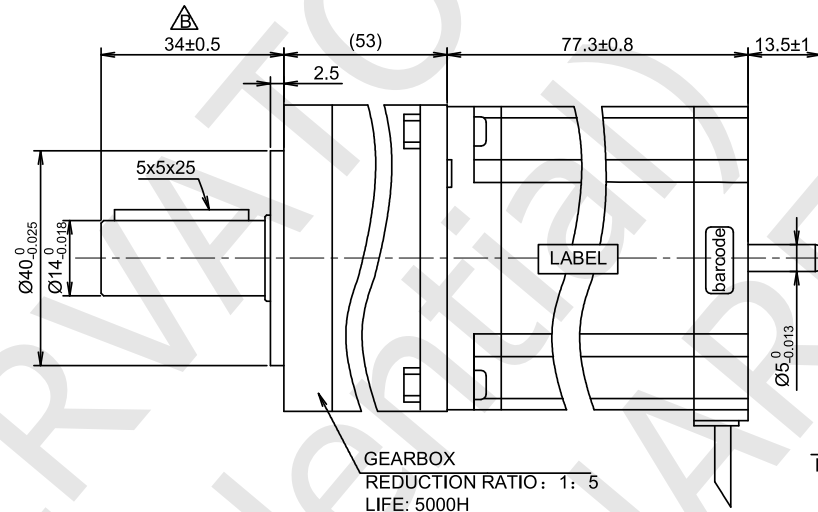
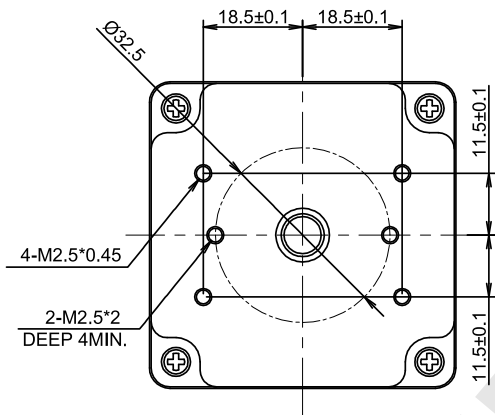


RoHS

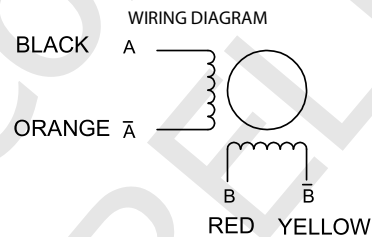


**GEARBOX SPECIFICATIONS**

GEARBOX TYPE	Planetary
REDUCTION RATIO	1 : 5
LIFE	5000 H

**MOTOR SPECIFICATIONS**

STEP ANGLE	1.8° ±5%
RATED CURRENT	4.20 Amps/Ph
HOLDING TORQUE	2.00 Nm Min.
RESISTANCE	0.50 ohm ±0.1 at 25°C
INDUCTANCE	1.77 mH ±20% at 1kHz, 1 Vrms
ROTOR INERTIA	520 g.cm <sup>2</sup>
INSULATION CLASS	Class B, 130°C
DIELECTRIC STRENGTH	500 Vac 1 minute
IP CODE	IP20
PULL OUT TORQUE	---

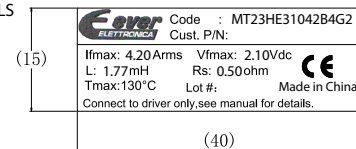


**EXCITING SEQUENCE (TWO PHASES) VS. DIRECTION OF ROTATION**

STEP	A	B	Ā	B̄
1	+	+	-	-
2	-	+	+	-
3	-	-	+	+
4	+	-	-	+

CLOCK WISE VIEW FROM MOUNTING SIDE

**LABELS**



YYWWXXXXX (25 x 8)  
Stator barcode label

BACK EMF	---
DETENT TORQUE	---
WEIGHT	1100 g. approx
TEMPERATURE RISE	80K Max.
OPERATING TEMPERATURE	-20°C ~ +50°C
STORAGE TEMPERATURE	-20°C ~ +70°C
SHAFT AXIAL LOAD	15 N
SHAFT RADIAL LOAD	75 N (ON FRONT SHAFT END)

UNIT: mm  
UNLESS OTHERWISE SPECIFIED TOLERANCES  
DIMENSIONS : ±0.3 mm DEGREES : ±5%

REV

- 00a - First release with new drawing.
- 00b - Modified the tolerance of gearbox shaft.

DESIGN	Stm00970-01b
CHECK	
APPROVED	
DATE	25 / 11 / 2019

**MT23HE31042B4G2**  
STEPPING MOTOR SPECIFICATION



www.everelettronica.it