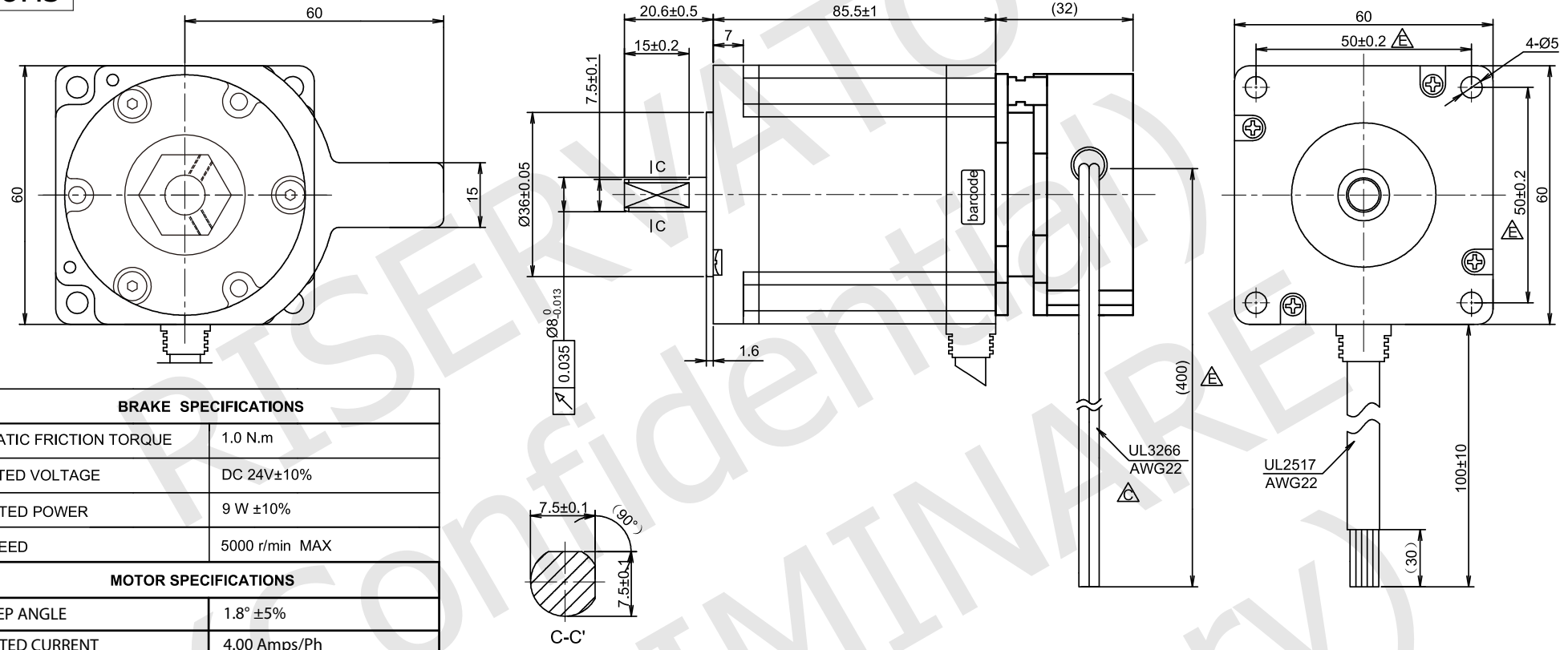


RoHS

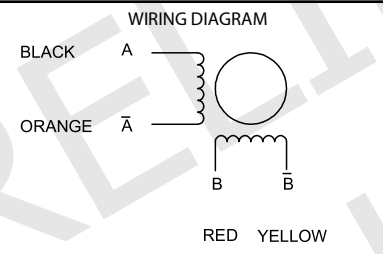
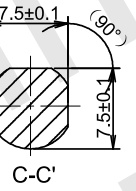


BRAKE SPECIFICATIONS

STATIC FRICTION TORQUE	1.0 N.m
RATED VOLTAGE	DC 24V±10%
RATED POWER	9 W ±10%
SPEED	5000 r/min MAX

MOTOR SPECIFICATIONS

STEP ANGLE	1.8° ±5%
RATED CURRENT	4.00 Amps/Ph
HOLDING TORQUE	3.00 Nm Min.
RESISTANCE	0.75 ohm ±0.15 at 25°C
INDUCTANCE	3.00 mH ±20% at 1kHz, 1Vrms
ROTOR INERTIA	920 g.cm ²
INSULATION CLASS	Class B, 130°C
DIELECTRIC STRENGTH	500 Vac 1 minute
IP CODE	IP20
PULL OUT TORQUE	---
BACK EMF	---
DETENT TORQUE	---
WEIGHT	1800 g. approx
TEMPERATURE RISE	80K Max.
OPERATING TEMPERATURE	-20°C ~ +50°C
STORAGE TEMPERATURE	-20°C ~ +70°C
SHAFT AXIAL LOAD	15 N
SHAFT RADIAL LOAD	75 N (ON FRONT SHAFT END)



EXCITING SEQUENCE (TWO PHASES) VS. DIRECTION OF ROTATION

STEP	A	B	Ā	B̄	Direction
1	+	+	-	-	CCW
2	-	+	+	-	
3	-	-	+	+	
4	+	-	-	+	

CLOCK WISE VIEW FROM MOUNTING SIDE

LABELS

(15)

Code : MT24HE35040B4F1
Cust. P/N:

Ifmax: 4.00 Arms Vfmax: 3.00 Vdc
L: 3.00 mH Rs: 0.75 ohm
Tmax: 130°C Lot #: Made in China
Connect to driver only, see manual for details.

(40)

YYWWXXXX (25 x 8)
Stator barcode label

UNIT: mm	DESIGN	Stm01233-02e
UNLESS OTHERWISE SPECIFIED TOLERANCES	CHECK	
DIMENSIONS : ±0.3 mm DEGREES : ±5%	APPROVED	
DRAWING NOT TO SCALE	DATE	11 / 01 / 2021

MT24HE35040B4F1
STEPPING MOTOR SPECIFICATION

REV	02b - First release with new drawing layout.
	02c - Added the brake cable length.
	02d - Correct the electrical parameters.
	02e - Fixed front flange, brake leadwires and other details as the real motor.

