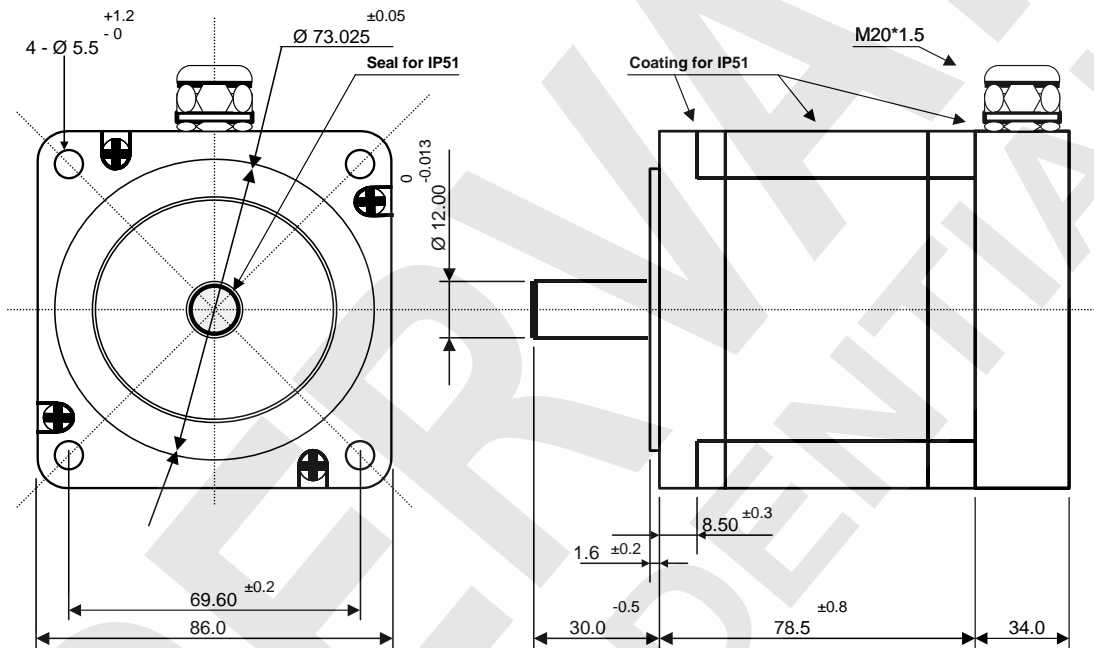


Motor Size	3.4" – 86 mm square shape	Step Angle	1.2° ±5%
Front Shaft	30.0 mm length – Ø 12.0 mm	Rear Shaft	None
Phases	3 phases (U, V, W)	Poles	50
Winding	# 3 terminal clamps	Lead Wire Length	---
Rated Voltage	3.19 Vdc	Rated Current	5.80 Amps/phase
Resistance	0.55 ohm ±10%	Inductance	1.20 mH ±20%
Motor Rotor Inertia	950 g.cm²	Motor Holding Torque	4.18 Nm
Ambient temperature	-20°C ~ +40°C	Temperature rise	80K max
Shaft thrust load	60 N	Shaft radial load	220 N (at front shaft end)
Protection	IP51	Insulation class	B, 130°C

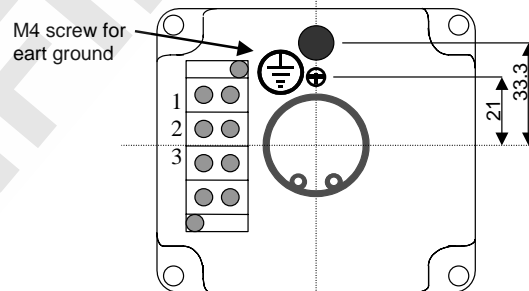
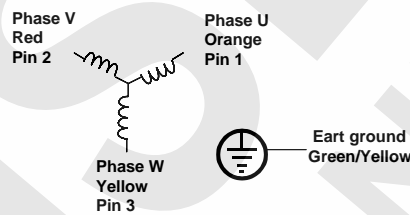
Mechanical drawings

(Dimensions in mm)



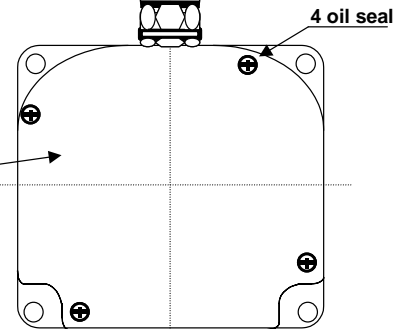
Connection lead wires

Inside of rear terminal box



Rear terminal box

Motor labelling



	MOTOR SPEC: STM01226-01b	DATE: December, 10th 2015	CUSTOMER APPROVAL: _____
	MOTOR CODE: MT34H331058M3L1		CUSTOMER CODE: _____