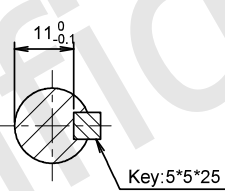
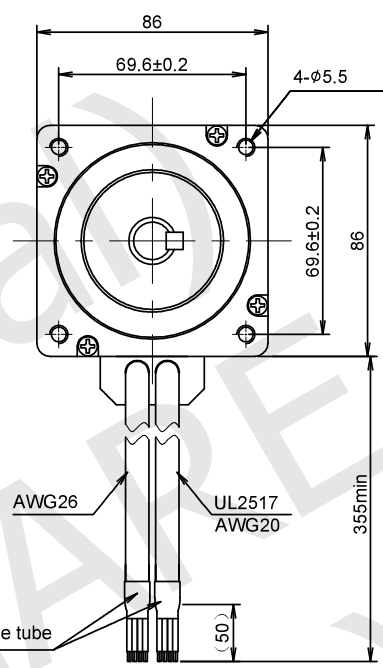
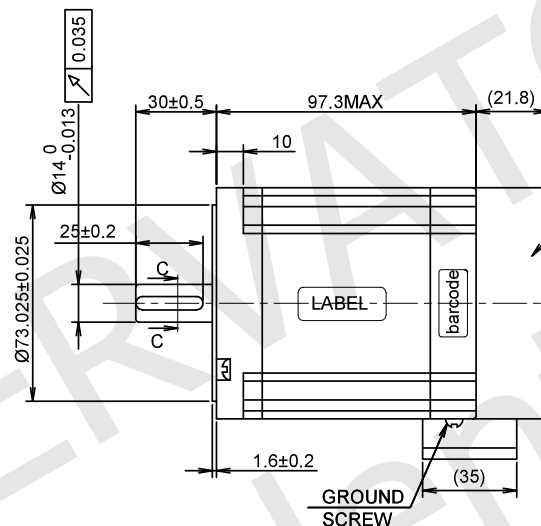
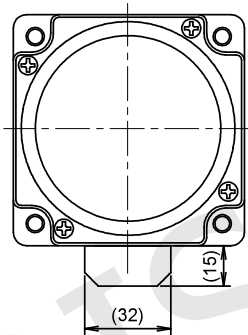
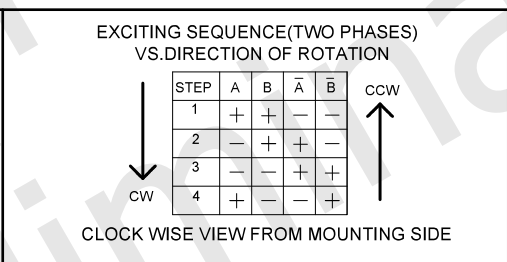
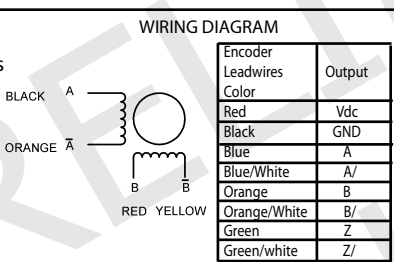


RoHS



C-C' /VIEW

ENCODER SPECIFICATIONS	
ENCODER TYPE	Incremental Encoder
POWER SUPPLY	5.0 Vdc
RESOLUTION	1000 ppr
OUTPUT TYPE	Line Driver
MOTOR SPECIFICATIONS	
STEP ANGLE	1.8° ±5%
RATED CURRENT	2.00 Amps/Ph
HOLDING TORQUE	7.00 Nm Min.
RESISTANCE	3.50 ohm ±0.35 at 25°C
INDUCTANCE	30.00 mH ±20% at 1kHz, 1Vrms
ROTOR INERTIA	2700 g.cm ²
INSULATION CLASS	Class F, 155°C
DIELECTRIC STRENGTH	1500 Vac 1 minute
IP CODE	IP40
PULL OUT TORQUE	---
BACK EMF	---
DETENT TORQUE	---
WEIGHT	2900 g. approx
TEMPERATURE RISE	105K Max.
OPERATING TEMPERATURE	-20°C ~ +50°C
STORAGE TEMPERATURE	-20°C ~ +70°C
SHAFT AXIAL LOAD	60 N
SHAFT RADIAL LOAD	220 N (ON FRONT SHAFT END)



LABELS

(15)

(40)

YYWWXXXXX (25 x 8)
Stator barcode label

UNIT: mm	DESIGN	Stm02395-00a
UNLESS OTHERWISE SPECIFIED TOLERANCES	CHECK	
DIMENSIONS : ±0.3 mm DEGREES : ±5%	APPROVED	
DRAWING NOT TO SCALE	DATE	25 / 10 / 2021

MT34HE38020E4VK
STEPPING MOTOR SPECIFICATION

REV	00a - First release.