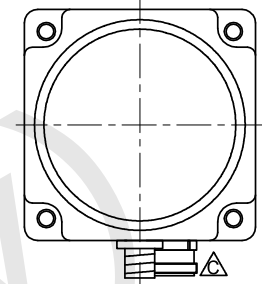
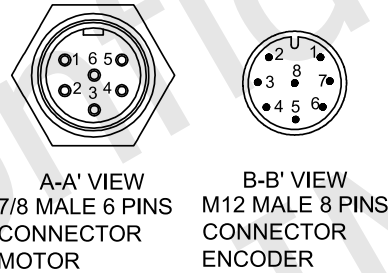
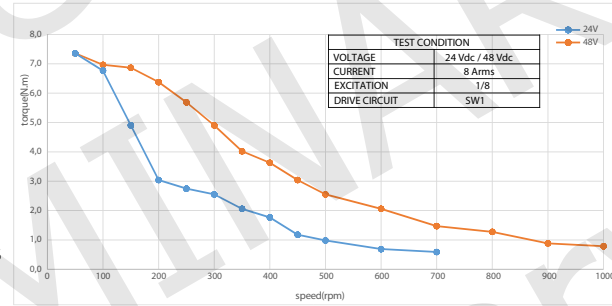
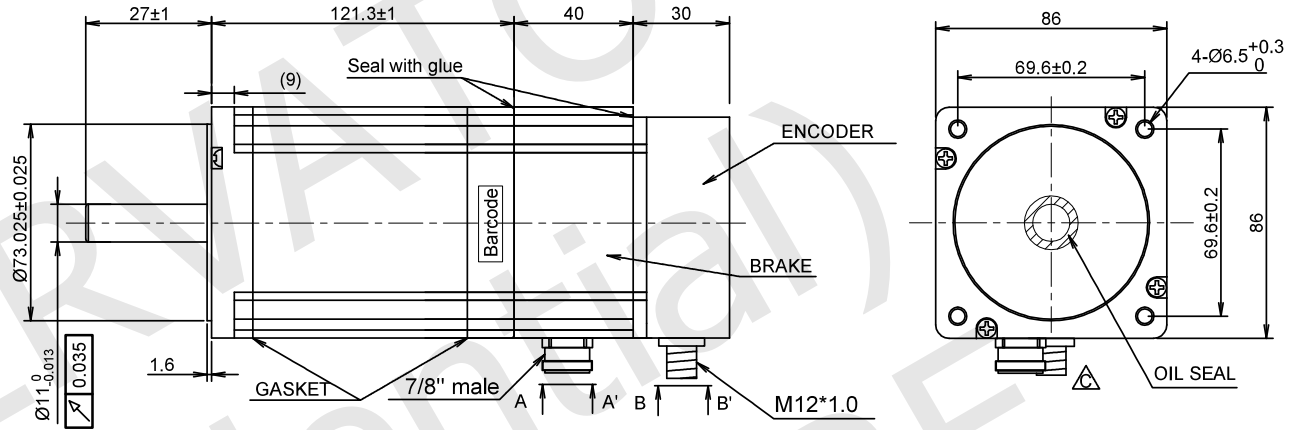


RoHS



BRAKE SPECIFICATIONS	
VOLTAGE	24 Vdc
POWER	11W
STATIC TORQUE	2.0 N.m min
ENCODER SPECIFICATIONS	
ENCODER TYPE	Absolute multiturn
POWER SUPPLY	5.00 Vdc
SINGLE TURN RESOLUTION Δ	17 bits
MULTI TURN RESOLUTION Δ	16 bits
OUTPUT TYPE	BISS-C
MOTOR SPECIFICATIONS	
STEP ANGLE	1.8° ±5%
RATED CURRENT	9.50 Amps/Ph
HOLDING TORQUE	10.50 Nm Min.
RESISTANCE	0.43 ohm ±10% at 25°C
INDUCTANCE	3.16 mH ±20% at 1kHz, 1 Vrms
ROTOR INERTIA	3800 g.cm ²
INSULATION CLASS	Class B, 130°C
DIELECTRIC STRENGTH	500 Vac 1 minute
IP CODE	IP65
PULL OUT TORQUE	---
BACK EMF	---
DETENT TORQUE	---
WEIGHT	5000 g. approx
TEMPERATURE RISE	80K Max.
OPERATING TEMPERATURE	-20°C ~ +50°C
STORAGE TEMPERATURE	-20°C ~ +70°C
SHAFT AXIAL LOAD	60 N
SHAFT RADIAL LOAD	220 N (ON FRONT SHAFT END)

<p>WIRING DIAGRAM</p> <table border="1"> <thead> <tr> <th colspan="2">MOTOR AND BRAKE</th> </tr> </thead> <tbody> <tr><td>1</td><td>A</td></tr> <tr><td>2</td><td>A/</td></tr> <tr><td>3</td><td>B</td></tr> <tr><td>4</td><td>B/</td></tr> <tr><td>5</td><td>Brake Vdc</td></tr> <tr><td>6</td><td>Brake GND</td></tr> </tbody> </table>	MOTOR AND BRAKE		1	A	2	A/	3	B	4	B/	5	Brake Vdc	6	Brake GND	<table border="1"> <thead> <tr> <th colspan="2">ENCODER</th> </tr> </thead> <tbody> <tr><td>7</td><td>GND</td></tr> <tr><td>5</td><td>PRESET</td></tr> <tr><td>6</td><td>CONFIG</td></tr> <tr><td>1</td><td>DATA+</td></tr> <tr><td>2</td><td>DATA-</td></tr> <tr><td>4</td><td>CLK-</td></tr> <tr><td>3</td><td>CLK+</td></tr> <tr><td>8</td><td>+Vcc</td></tr> </tbody> </table>	ENCODER		7	GND	5	PRESET	6	CONFIG	1	DATA+	2	DATA-	4	CLK-	3	CLK+	8	+Vcc	<p>EXCITING SEQUENCE(TWO PHASES) VS.DIRECTION OF ROTATION</p> <table border="1"> <thead> <tr> <th>STEP</th> <th>A</th> <th>B</th> <th>A̅</th> <th>B̅</th> </tr> </thead> <tbody> <tr><td>1</td><td>+</td><td>+</td><td>-</td><td>-</td></tr> <tr><td>2</td><td>-</td><td>+</td><td>+</td><td>-</td></tr> <tr><td>3</td><td>-</td><td>-</td><td>+</td><td>+</td></tr> <tr><td>4</td><td>+</td><td>-</td><td>-</td><td>+</td></tr> </tbody> </table> <p>CLOCK WISE VIEW FROM MOUNTING SIDE</p>	STEP	A	B	A̅	B̅	1	+	+	-	-	2	-	+	+	-	3	-	-	+	+	4	+	-	-	+
MOTOR AND BRAKE																																																											
1	A																																																										
2	A/																																																										
3	B																																																										
4	B/																																																										
5	Brake Vdc																																																										
6	Brake GND																																																										
ENCODER																																																											
7	GND																																																										
5	PRESET																																																										
6	CONFIG																																																										
1	DATA+																																																										
2	DATA-																																																										
4	CLK-																																																										
3	CLK+																																																										
8	+Vcc																																																										
STEP	A	B	A̅	B̅																																																							
1	+	+	-	-																																																							
2	-	+	+	-																																																							
3	-	-	+	+																																																							
4	+	-	-	+																																																							

LABELS

Code : MT34HE47095R4L1
Cust. P/N:

Ifmax: 9.50Arms Vmax: 4.08 Vdc
L: 3.16 mH Rs: 0.43 ohm
Tmax:130°C Lot #: Made in China
Connect to driver only,see manual for details.

(15)

YYWWXXXXX (25 x 8)

Stator barcode label

(40)

UNIT: mm	DESIGN	Stm01955-00c
UNLESS OTHERWISE SPECIFIED TOLERANCES	CHECK	
DIMENSIONS : ±0.3 mm DEGREES : ±5%	APPROVED	
DRAWING NOT TO SCALE	DATE	08 / 10 / 2021

MT34HE47095R4L1

STEPPING MOTOR SPECIFICATION

REV	00a - First release.
	00b - Modified the encoder resolution data.
	00c - Correct the position of motor connector.

