

MOTOR TECHNICAL SPECIFICATION

M-06-STP



Red. : Bianchi Mario

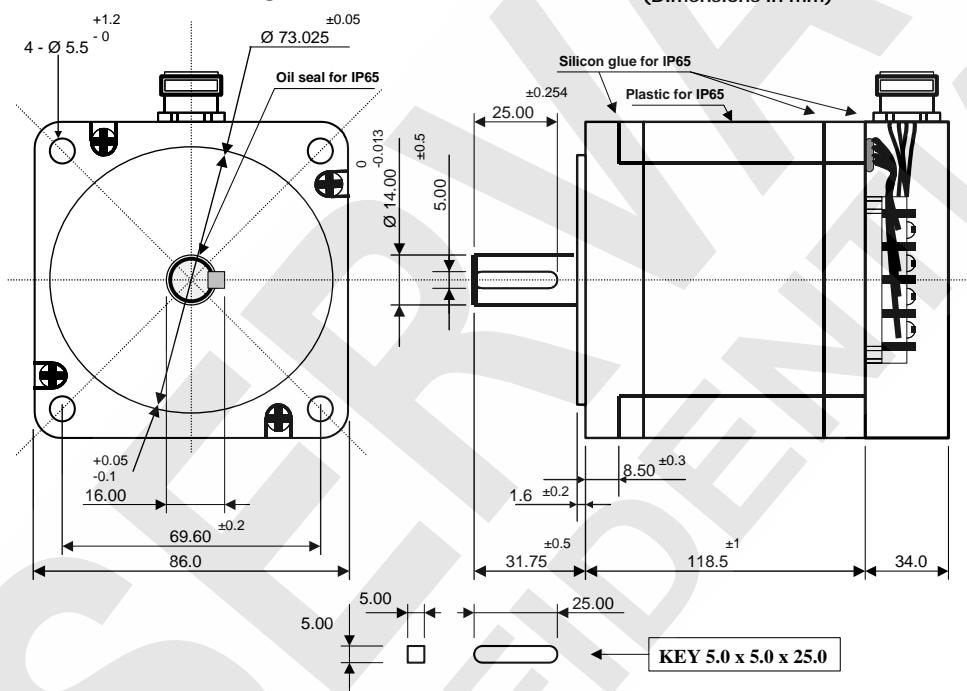
Doc: **MT34HE47120M4LC - 00**

Date : 16/02/2015

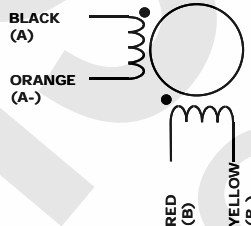
Front flange	3.4" – 86 mm square shape	Step Angle	1,8° ±5%
Front Shaft	31.75 mm length – Ø 14.00 mm with key 5.0x5.0x25.0 mm	Rear Shaft	None
Winding	# 4 pin on connector	Lead Wire Length	Custom connector as dwg
Rated Voltage	3.00 Volt	Rated Current	12.00 Amps
Resistance	0.25 ohm ±10%	Inductance	1.70 mH ±20%
Winding	Bipolar parallel	Bipolar Holding Torque	11.80 Nm min.
Rotor Inertia	2500 g.cm²	Insulation class	Class B, 130°C
Shaft thrust load	60 N	Shaft radial load	220 N (at shaft end)
Ambient temp.	-20°C ~ +40°C	Temperature rise	80K max.
Protection	IP65		

Mechanical drawings

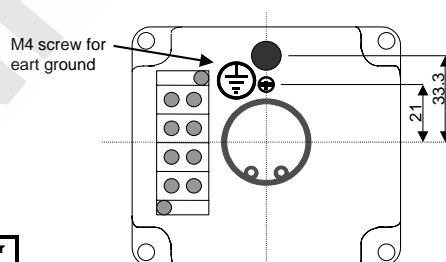
(Dimensions in mm)



Connection lead wires

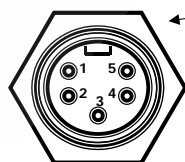
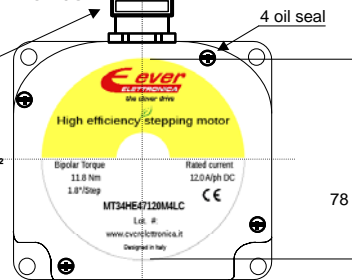


Inside of rear terminal box



Driver connection	Lead color	MS connector lead wires	MS connector pin out
A	Black / 1	Black	1
A/	Orange / 2	Blu	2
B	Red / 3	Brown	4
B/	Yellow / 4	White	5
GND	(Screw on rear flange)	Green/Yellow	3

Rear terminal box



Motor connector
Series R3240 (IP67)
Male socket with 200 mm wires 0.75 mm²
code: HDEM 00538 6A7 0200 000