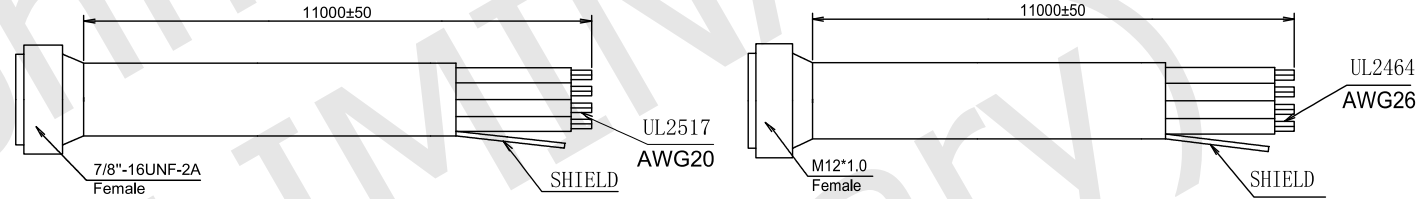
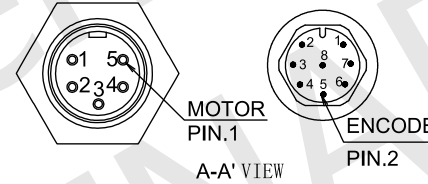
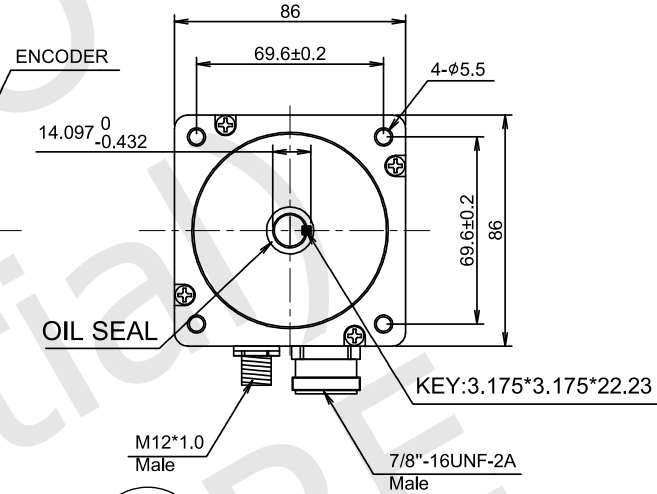
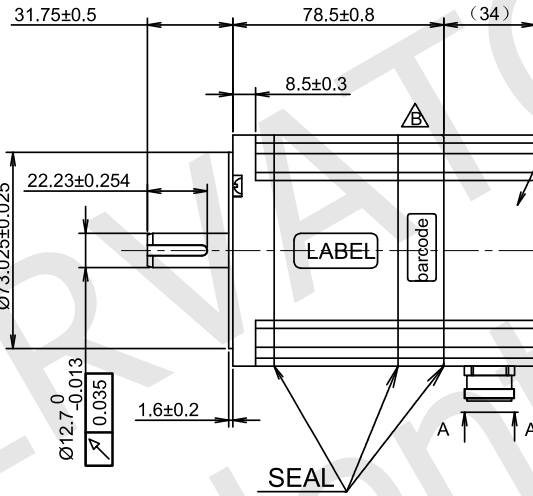
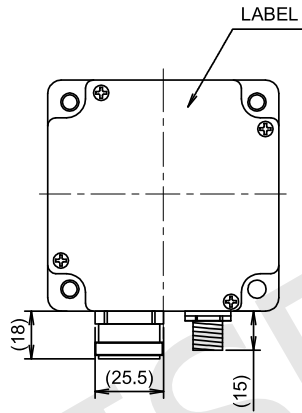


RoHS



ENCODER SPECIFICATIONS	
ENCODER TYPE	Incremental quadrature
POWER SUPPLY	5.00 Vdc
RESOLUTION	400 ppr
OUTPUT TYPE	Line Driver
MOTOR SPECIFICATIONS	
STEP ANGLE	1.8° ±5%
RATED CURRENT	6.00 Amps/Ph
HOLDING TORQUE	5.00 Nm Min.
RESISTANCE	0.30 ohm ±0.1 at 25°C
INDUCTANCE	2.70 mH ±20% at 1kHz, 1Vrms
ROTOR INERTIA	1878 g.cm ²
INSULATION CLASS	Class B, 130°C
DIELECTRIC STRENGTH	500 Vac 1 minute
IP CODE	IP65
PULL OUT TORQUE	---
BACK EMF	---
DETENT TORQUE	---
WEIGHT	2300 g. approx
TEMPERATURE RISE	80K Max.
OPERATING TEMPERATURE	-20°C ~ +50°C
STORAGE TEMPERATURE	-20°C ~ +70°C
SHAFT AXIAL LOAD	60 N
SHAFT RADIAL LOAD	220 N (ON FRONT SHAFT END)

WIRING DIAGRAM

MOTOR	ENCODER
2 A BLU	1 A WHT
1 A/ BLK	2 A/ BRN
4 B BRN	3 B GRN
5 B/ WHT	4 B/ YEL
	5 Z GRY
	6 Z/ PNK
	7 5Vdc BLU
	8 GND RED

EXCITING SEQUENCE (TWO PHASES) VS. DIRECTION OF ROTATION

STEP	A	B	A̅	B̅
1	+	+	-	-
2	-	+	+	-
3	-	-	+	+
4	+	-	-	+

CLOCK WISE VIEW FROM MOUNTING SIDE

LABELS

UNIT: mm	DESIGN	Ste00010-02b
UNLESS OTHERWISE SPECIFIED TOLERANCES	CHECK	
DIMENSIONS : ±0.3mm DEGREES : ±5%	APPROVED	
DRAWING NOT TO SCALE	DATE	07 / 05 / 2020

REV	00a - First release with new drawing.
	00b - Modified the colour of endcover.

MTEN-0127
STEPPING MOTOR SPECIFICATION