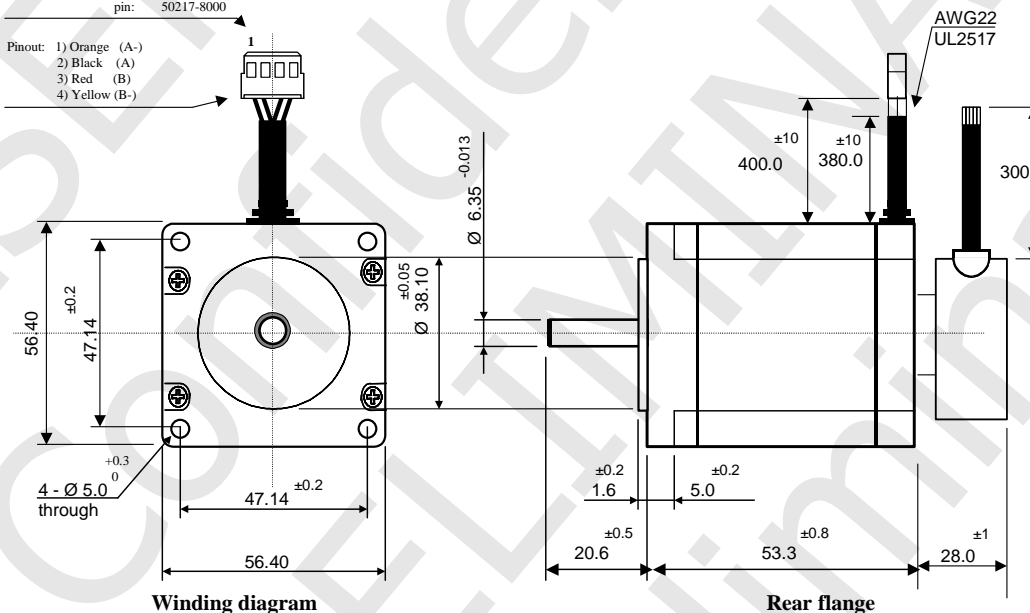


Motor Size	2.3" – 57 mm square shape	Step Angle	1.8° ±5%
Front Shaft	20.6 mm length – Ø 6.35 mm	Rear Shaft (used by encoder)	17.5 mm length – Ø 6.35 mm
Winding	# 4 lead wires UL2517 AWG22	Lead wires length	400 mm ±10 with connector at customer side
Rated Voltage	1.70 Volt	Rated Current	4.20 Amps/phase
Resistance	0.40 ohm ±0.1	Inductance	1.20 mH ±20%
Motor Rotor Inertia	280 g.cm²	Bipolar Holding Torque	1.20 Nm min.
Winding	Bipolar	Insulation class	Class B, 130°
Dielectric strength	500 Vac 1 minute	Insulation resistance	100 Mohm min.
Ambient temperature	-20° ~ +40° C	Temperature rise	80K max
Shaft thrust load	15 N	Shaft radial load	75 N (at shaft end)
Encoder type	Incremental quadrature	Encoder p/n	SE460400AB10030
Encoder resolution	400 ppr	Encoder power supply	5 Vdc ±5%
Feedback signals	A+, A-, B+, B-, Z+, Z-	Encoder output conn.	Differential 5 Vdc

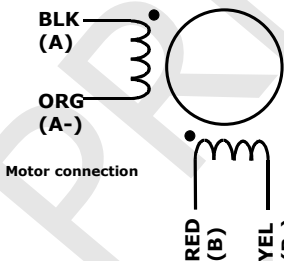
Mechanical drawing
(dimensions in mm)

Connector: Molex housing: 35156-0400
pin: 50217-8000

Pinout: 1) Orange (A-)
2) Black (A)
3) Red (B)
4) Yellow (B-)



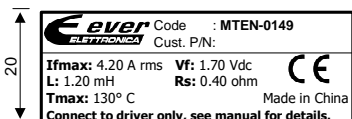
Winding diagram



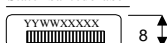
Motor connection

Lead colours	White	Black	Red	Pink	Green	Blue	Yellow	Orange	Shield
Connection	Vdc	0V	A	A-	B	B-	Z	Z-	Cable shield

Motor label



Stator barcode label



	Motor specification:	DATE: December, 2nd 2015	APPROVAZIONE CLIENTE: _____
	Motor code: MT23HE22042B401		CODICE CLIENTE: _____